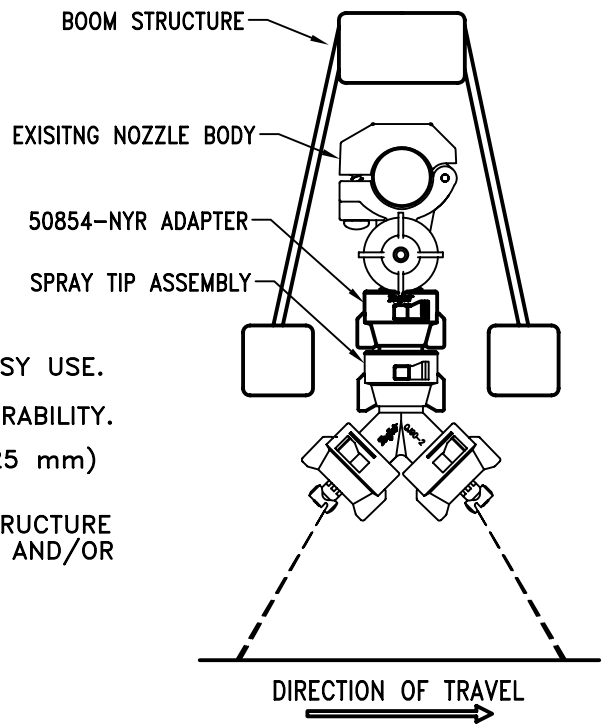


TYPICAL SETUP:



FEATURES:

- FITS STANDARD QUICK TEEJET BODIES FOR EASY USE.
- NYLON CONSTRUCTION FOR STRENGTH AND DURABILITY.
- DESIGNED TO EXTEND NOZZLE BODY BY 1" (25 mm) FROM EXISTING OUTLET LOCATION.
- CAN BE USED ON SPRAYERS WHERE BOOM STRUCTURE CAUSES INTERFERENCE WITH SPRAY PATTERNS AND/OR SPRAY TIP ASSEMBLY.
- MAXIMUM PRESSURE: 300 PSI.

DESCRIPTION:

**50854-NYR
QUICK TEEJET
ADAPTER CAP**



Spraying Systems Co.[®]

Spray Nozzles and Accessories
P.O. Box 7900 - Wheaton, Il. 60189-7900

Rev. No.

Ref.

DATA SHEET

50854

SHEET OF